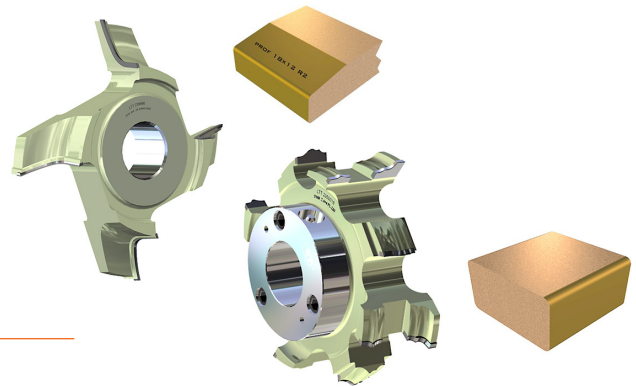




PROFILED CUTTERS



LTT PROFILED DIAMOND CUTTERS

- According customer.
- Quick delivery.
- Large 5 mm tip standard.

MORE INFORMATION? PLEASE CONTACT US!

Micor Tooling, Industrigatan 10, 312 34 Laholm, Sweden
+46 (0) 430 492 00, support@micortooling.com